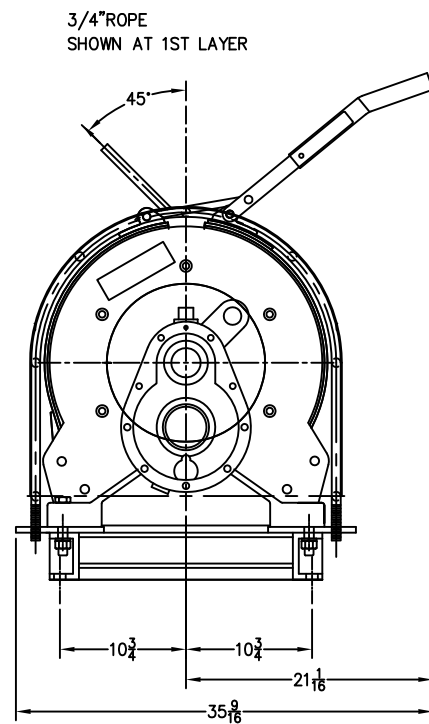
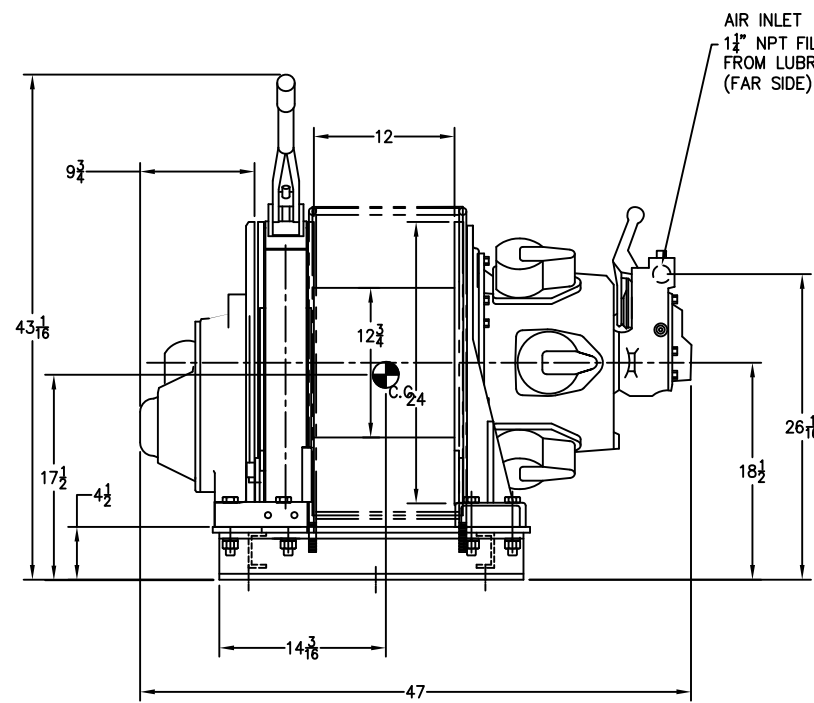


REV.	DESCRIPTION	BY	DATE	CKD.	APVD.
0	INITIAL RELEASE	MSK	8/25/2010	RRIOS	RRIOS

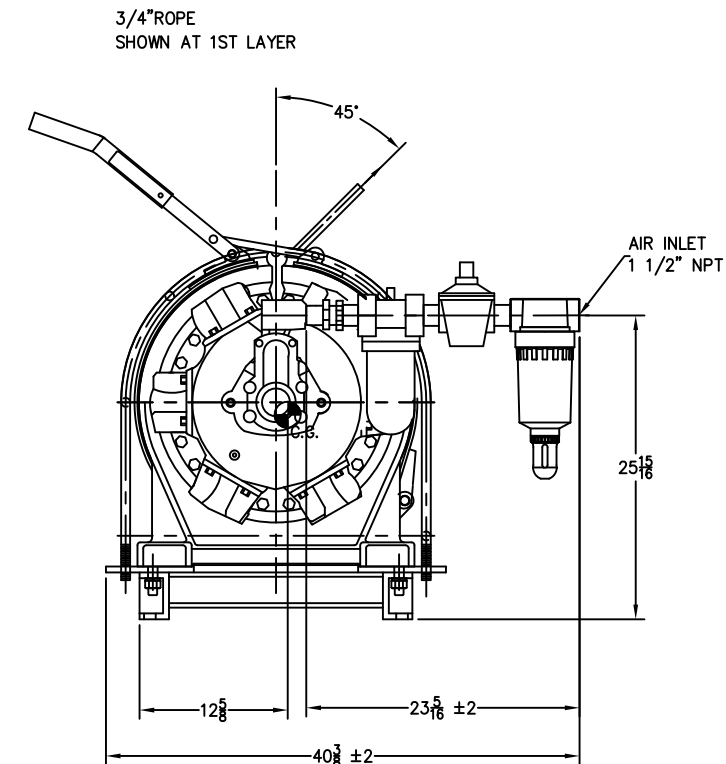
- NOTES:
- 1) ALL OF THE FOLLOWING ITEMS WILL BE PRE-PLUMBED AND REMOVED FOR SHIPPING.
1 1/2" NPT FILTER
1 1/2" NPT REGULATOR
1 1/4" NPT LUBRICATOR
 - 2) 1 1/2" NPT REGULATOR WILL BE SET AND LOCKED AT 90PSI.
 - 3) ESTIMATED WT.= 1,320 LBS W/O WIRE ROPE.
 - 4) ESTIMATED WT.= 1,629 LBS W/ WIRE ROPE AT FULL DRUM
 - 5) UTILITY CONSUMPTION= 450 CFM AT 90 PSI. FOR FULL RATED PERFORMANCE
 - 6) WIRE ROPE AND END ATTACHMENT TO BE SUPPLIED BY CUSTOMER.



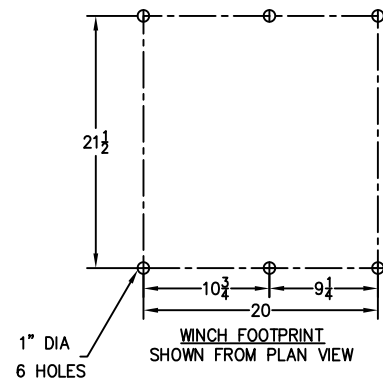
GEARCASE SIDE



REAR ELEVATION
DRUM GUARD SHOWN W/O EXPANDED METAL




GEAR CASE SIDE



1" DIA
6 HOLES
WINCH FOOTPRINT
SHOWN FROM PLAN VIEW

THIS DRAWING IS THE PROPERTY OF RAM ITC. THE DESIGN AND DATA SHOWN INCLUDES PROPRIETARY INFORMATION THAT DESCRIBES RAM ITC. PRODUCTS. THE BORROWER BY RECEIPT AND RETENTION OF THE DRAWING AGREES THAT EXCEPT AS EXPRESSLY AUTHORIZED IN WRITING BY RAM ITC., IT WILL (1) ONLY USE THE DRAWING OR THE DESIGN AND DATA SHOWN FOR THE PURPOSE INTENDED BY RAM ITC.; (2) NOT LOAN, REPRODUCE, EXHIBIT OR DISTRIBUTE THE DRAWING OR ANY COPY OF THE DESIGN OR DATA SHOWN FOR USE BY OTHER THAN RAM ITC., AND (3) UPON DEMAND RETURN THE DRAWING, ALL COPIES AND ALL MATERIAL COPIES THEREFROM.

EST. FINISHED WT. LBS SEE NOTES	UNLESS OTHERWISE SPECIFIED: ALL DIMENSIONS ARE IN INCHES AND ALL TOLERANCES ARE AS STATED	 3rd ANGLE PROJECTION		RAM WINCH HOIST 14603 CHRISMAN RD. HOUSTON, TEXAS 77039	
ACTUAL WT. LBS -					
ORIGINAL JOB NO: STX-GT-II	ANGLES: ±0.5° SURFACE FINISH: 125 ON ALL MACHINED SURFACES SURFACE FEATURES: (ON MACHINED PARTS) T.I.R. // 0.005 PERPENDICULAR ⊥ 0.015 FLATNESS ∇ 0.010 PARALLEL // 0.015	DIMENSIONS: X.X ±0.06 X.XX ±0.015 X.XXX ±0.005 FRACTION ±1/16		TITLE: GENERAL ARRANGEMENT, K6U12MX1G,	
	BREAK ALL SHARP EDGES		DWN: M.S. KLEIN 8/25/2010		SIZE: D
			CKD: R. RIOS 8/25/2010		DWG NUMBER: S001694
			ENG: R. RIOS 8/25/2010		REV: 0
			APVD: R. RIOS 8/2/2010		SCALE: 1:8
NEXT ASSEMBLY	K6U-12MX1G MODEL NO.				SH: 1/1